

Installation instructions for TRADITION Fences

Classik and Barok exotic wood fences are naturally **rot-proof**. They are unique and bring a natural touch to the garden. The stackable wooden slats are all different. Wood is a natural product. Its colours and shades are variable. Your fence is unique.

This **modular concept** is **quick and easy to** assemble. It is very simple with its 4 components: **a post, a wooden slat, a vertical rail and a cover rail**.

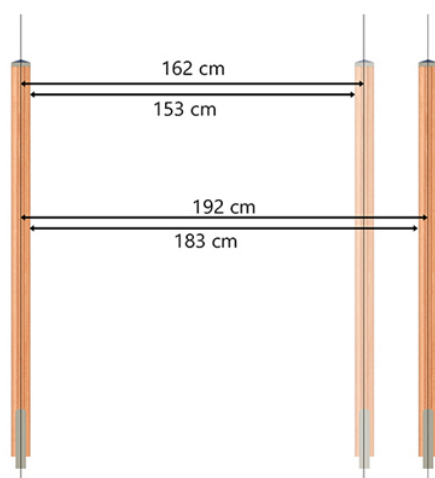


Before starting work, please read the installation instructions carefully. This fence can be built with a height **and width** (less than 180 cm) adapted to your needs.

Use the configurator: myfenceplanner.com

Preparation :

Measure the dimensions of the fence slats in length and height. The fence slats are manufactured with a production width of **145 mm**. This total width (measured between tongue and groove) will be between 140 and 147 mm **depending on the % the wood humidity**. Standard lengths are **120/150/180 cm**. However, the fence boards are sometimes delivered in longer lengths. The cover (protective rail) has a length of 183 cm. It is recommended to check the length of the fence boards and to cut them to 180 cm.



Step 1: Fixing the posts

The posts must be firmly anchored to the ground. There are two possibilities to choose from:

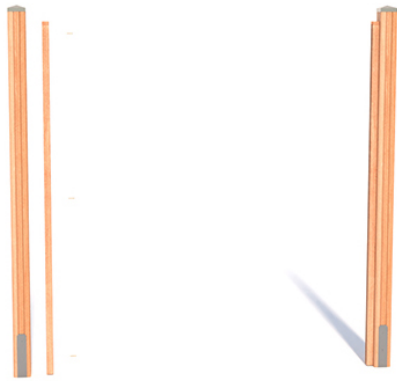
- Bury the post directly in the ground. **1/3 of the length of the post must be buried in the ground.**
- Sealing **stainless steel anchors in concrete** to fix the post: H plate.

1.

To determine the distance between the posts, the length of the fence slats+ 3cm must be taken into account. *Explanation of the 3cm : (12mm thick screw-on U-profile at the bottom of the groove + 3mm clearance) x 2).*

The chosen distance must be the same at the top and bottom of the post. For 180 cm stackable slats, a space of 183 cm is required between the posts, i.e. 192 cm centre-to-centre distance (90x90mm section post). For 150 cm stackable slats, a space of 153 cm is required between the posts, i.e. a distance of 162 cm between the posts (90x90mm section post).

Step 2: Screw on the U-profiles

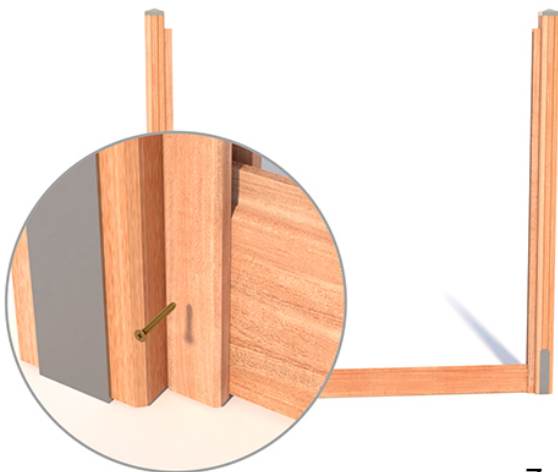


Screw the U-profiles onto the posts centrally. Use stainless steel screws. Pre-drill the U-profiles. Use clamps to hold the U-profile in the centre of the post.

Don't forget to leave enough space at the top to fix the cover rail (see step 5).

2. Adjust the bottom of the U-profile on the post to position the first fence slat - (See step 3).

Step 3: Attach the first board

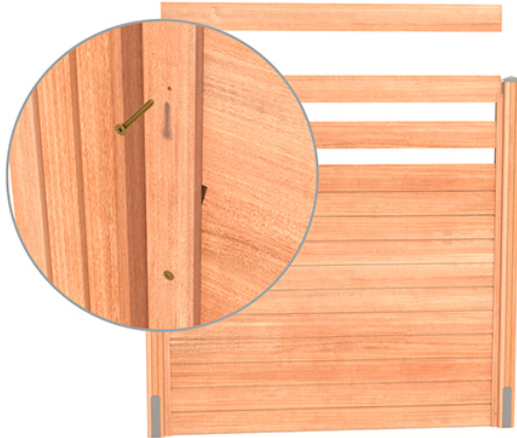


Position the first plug-in board (**tongue up**) horizontally.

Make sure to leave a space from the floor (minimum 5 cm), otherwise the wood will be permanently damp. Use a level to adjust the first board horizontally. Then fix the board to the U-profile with stainless steel screws.

- 3.

Step 4 : Nesting of the slats



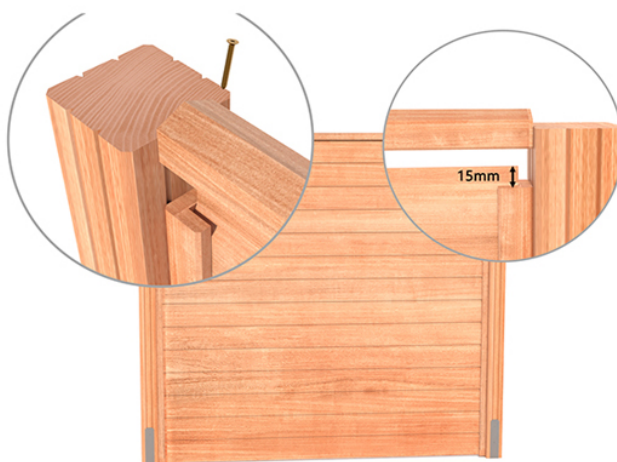
The other fencing slats are then inserted from above. Each plank must be **screwed directly and individually to the U-profiles**. Place a 4 x 40 mm screw in the middle of each side. The movement of the planks is strongly restricted. Do not forget to pre-drill each board with a 3mm diameter drill bit.

4.

If the boards are 145 mm wide or more, push the boards together as far as they will go, i.e. up to the stop between tongue and groove.

If the width is less than 145mm, the subsequent expansion must be taken into account and do not fully interlock, **leaving an "air gap"** in the tongue and groove joint. Example: A width of 142 mm therefore means $145 - 142 \text{ mm} = 3 \text{ mm}$ additional "clearance". The tongue-and-groove joint should not be fully engaged, but with **approx. 3 mm of play**. This leaves room for further expansion. This method can also be used to determine installation distances if "new boards" are to be retrofitted into the existing fence.

Step 5: Finishing the fence



For the finishing, use the **coverings** (only available for interlocking fence boards with a length of 180 cm).

The tongue of the last slat must be **sawn off according to diagram no. 5: The blade must protrude 15 mm from the U-profile**. The cover is

5.

placed on the last board. It must be cut to size. It is then screwed onto the U-profiles at an angle from above.