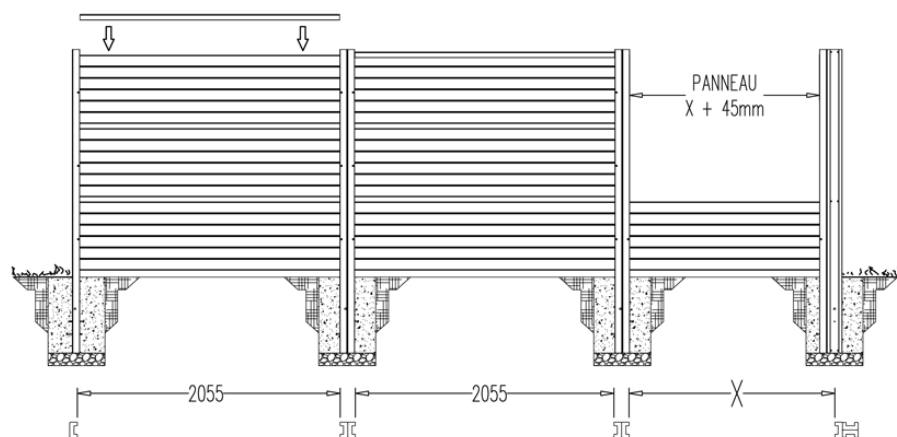
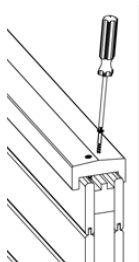
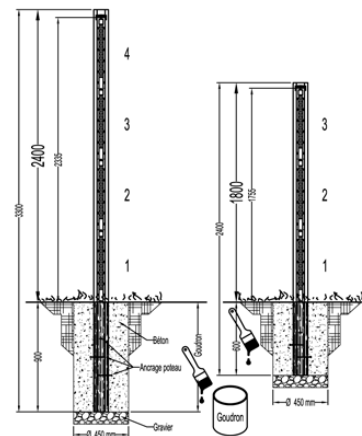
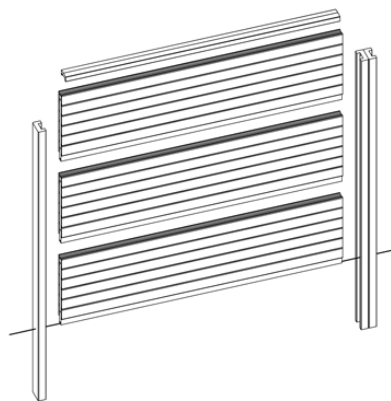
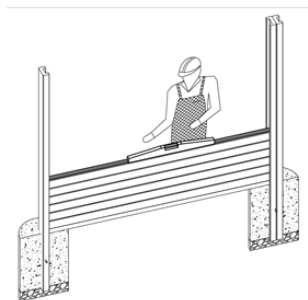


Instructions for SILENZO Noise Control Walls

It is advisable to brush the ends of posts with tar paint to improve the life of the wood. Posts should be sealed in concrete studs.

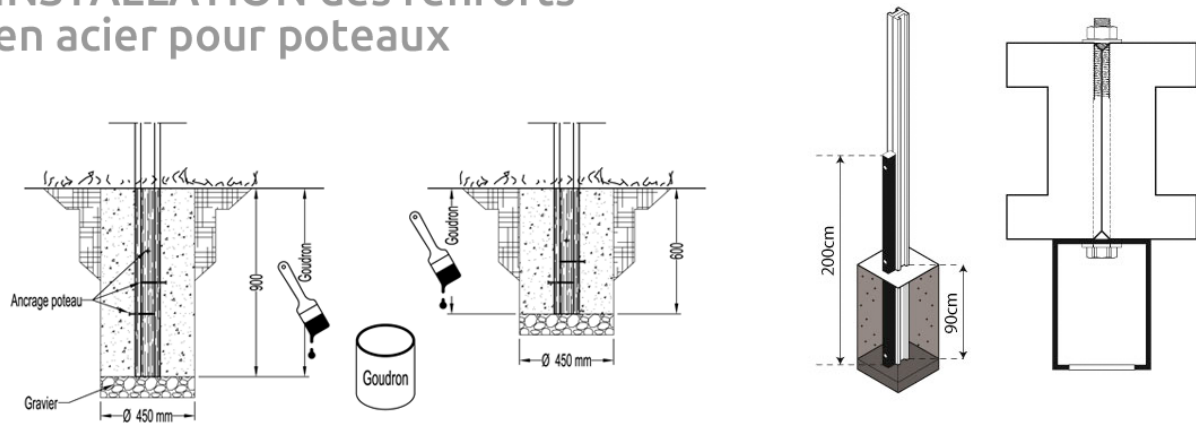
For any installation of posts higher than 2.4m, it is advisable to install metal reinforcements to consolidate the structure of the noise barrier.

INSTALLATION des panneaux



Installation of steel reinforcements for posts

INSTALLATION des renforts en acier pour poteaux



How to cut the last panel?

